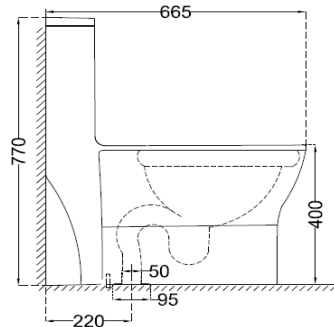
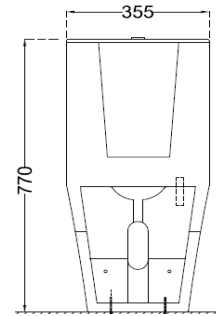


TOP VIEW



SIDE VIEW



BACK VIEW

**General Information**

Product Code	AIS-WHT-10185S220SPPSMY
Brand	Essco
Colour	White
Type	Single Piece WC ( S-Trap )
Material	Ceramic-Vitreous China (VC)

**Product Specification**

Product Dimension	355X665X770 mm
Bowl Opening (Inner Dimension)	250x320 mm
Product Net Weight	49 Kg
Product Gross Weight	54 kg
Packaging Dimension	685X390X780 mm
Outlet	Vertical
Trap Distance	S Trap - 300 mm
Outlet Hole Dimension	External diameter of outlet hole dia. $\varnothing 95 \pm 5$ mm
	Horizontal distance between the wall line and the centre line of the waste outlet hole $\leq 220$ mm

Product Features	<p>Sleek And Stylish Design With Rectangular Shape                  PP Slim Soft Close Seat Cover, Syphonic flush,                  Water Usage - 3/6 LPF With Wash Down Flushing                  Anti Bacterial Glaze on Ceramic                  Smooth Glaze Surface                  Product With Complete Genuine Accessories                  Rimless Design. Anti germ glaze</p>
------------------	--

**ACCESSORIES INCLUDED**

Seat Cover	AIS-WHT-103S
Floor fixing screw	ZPS-SNS-FB01
Cistern Fittings	ZCF-WHT-FT002
Wax Seal	ZPS-WHT-1401

**CARE AND CLEANING GUIDELINES**

- Vitreous china sanitary ware products are fragile in nature and need to be handled with care (to avoid personal injury) at all times during its storage, handling, installation and use thereafter.
- The product is heavy and it is recommended that two persons hold it while it is being fixed.
- Carefully inspect the new product for damage before installation.
- Risk of product damage. Over tightening may cause breakage or chipping of vitreous china.
- Risk of external leakage. Do not lift or rock the bowl after placement.
- Always test your cleaning solution on an inconspicuous area on the product before applying it to the entire surface.
- Do not allow cleaners to sit or soak on the product.
- Use a soft, dampened sponge or cloth to clean. Never use abrasive material like a bristle brush or scouring pad.
- Wipe surfaces clean and rinse completely with water immediately after applying cleaners.
- Clean Chrome, stainless steel surfaces once a week. Do not use cleaners containing chloride on chrome, stainless steel. If used, rinse the surface immediately to prevent corrosion.
- Wherever chrome plating is used on the products, use only warm water to clean and then dry with a soft cloth.

QUALITY MANAGEMENT SYSTEM - ISO 9001



DISCLAIMER: Our every effort has been made to ensure factual accuracy, the information presented subject to changes due to requirements in different sites, markets and/ or countries. All dimensions are in mm (Tolerance  $\pm 5$  MM). Jaquar reserves the right to make the necessary amendments at any time without prior notice.

# For Installation Refer Actual Product